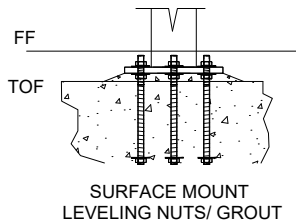


# Sky Ray

## SR 16

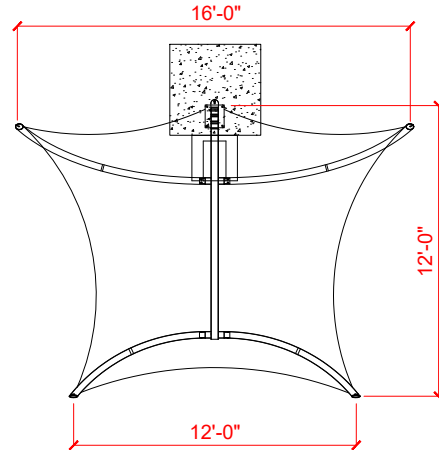
### KEY

- NOT ACTUAL FOUNDATIONS (VARY PER APPLICATION)
- TOF = TOP OF FOOTING
- FF = TOP OF FINISH SURFACE
- V/A = VARIES PER APPLICATION

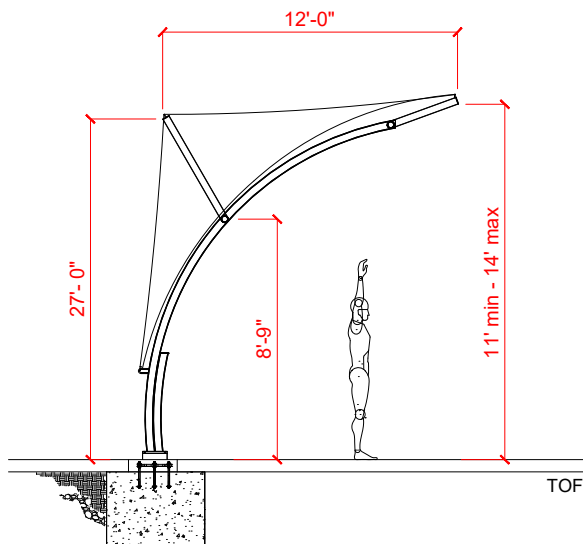


- STANDARD INSTALLATION IS WITH ANCHOR BOLTS
- TYPICAL F-1554 GRD 36 OR 55 THREADED ROD + NUTS
- SIZE Ø AND LENGTH PER DESIGN & APPLICATION
- LEVEL WASHERS AND NON-SHRINK GROUT
- DIRECT COLUMN EMBED NOT AVAILABLE

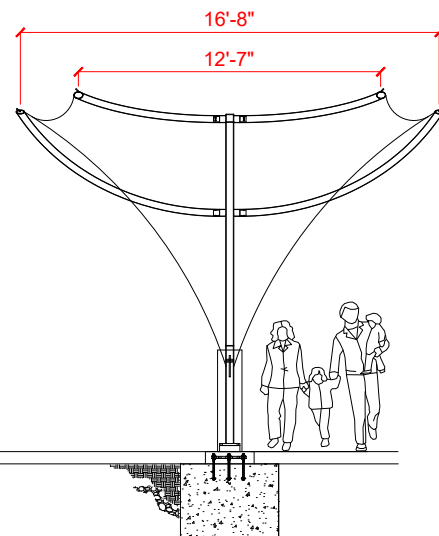
ANCHOR SYSTEM



PLAN LAYOUT



SIDE ELEVATION



FRONT ELEVATION

### NOTES:

- INSTALLATION TO BE COMPLETED IN ACCORDANCE WITH MANUFACTURER'S SPECIFICATIONS.
- DO NOT SCALE DRAWING.
- THIS DRAWING IS INTENDED FOR USE BY ARCHITECTS, ENGINEERS, CONTRACTORS, CONSULTANTS & DESIGN PROFESSIONALS ONLY.
- THIS DRAWING MAY NOT BE USED FOR CONSTRUCTION.
- ALL INFORMATION CONTAINED HEREIN IS SUBJECT TO CHANGE BY APOLLO SUNGUARD.
- STRUCTURAL MEMBERS & FOUNDATIONS ARE DESIGNED ACCORDING TO APPLICABLE LOCAL CODES & LATEST EDITION OF IBC AS PER ICC
- SHADE FABRIC DESIGNED FOR EASY & QUICK REMOVAL. **QRS - QUICK RELEASE SYSTEM™**
- CONTACT APOLLO SUNGUARD FOR CUSTOMIZATION.



**Carolina Shade Sails**  
 Phone: 336-392-8602  
 CarolinaShade@gmail.com